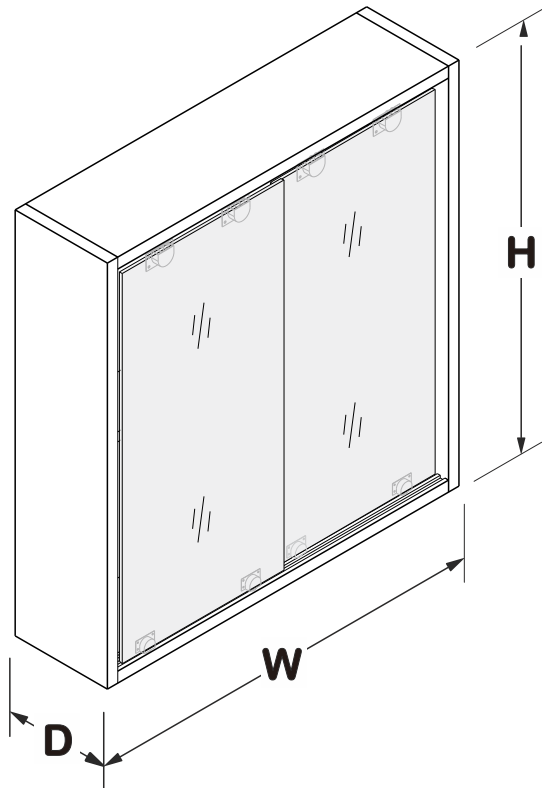


ECO M28B

TOOLS REQUIRED FOR ASSEMBLY

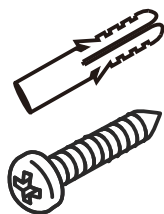


PARTS



- W** - Cabinet's width
- H** - Cabinet's Height
- D** - Cabinet's Depth

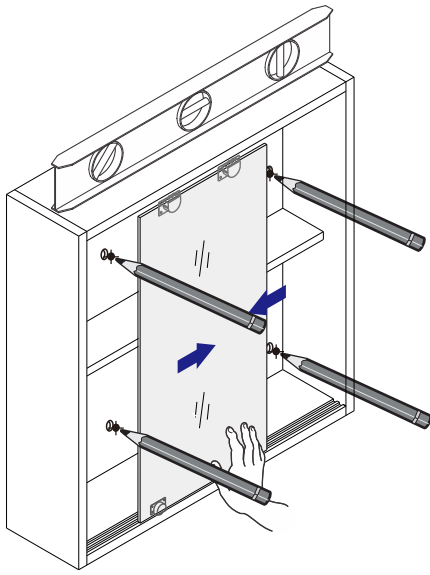
ITEM NO.:	W	H	D
ECO M28B	28"	25"	6"



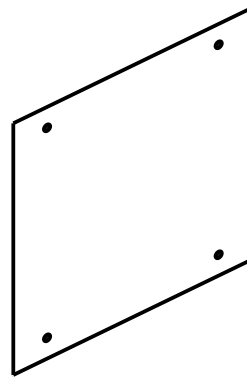
Hinge Screw
4pcs

RECESS-MOUNT INSTALLATION

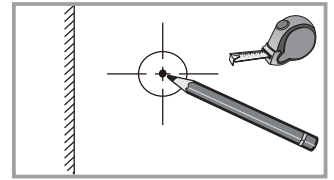
1



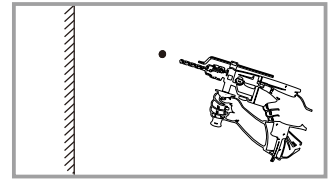
2



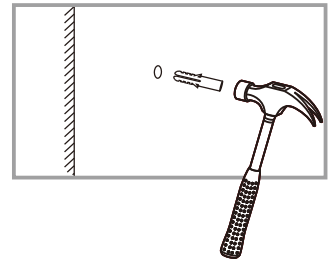
(1)



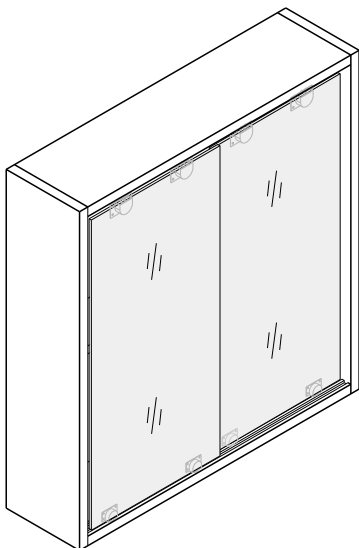
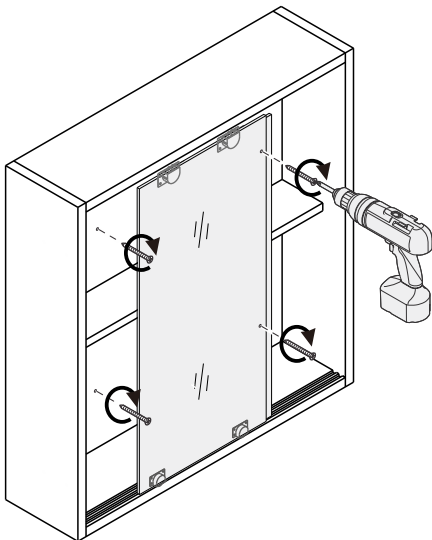
(2)



(3)



3



4

